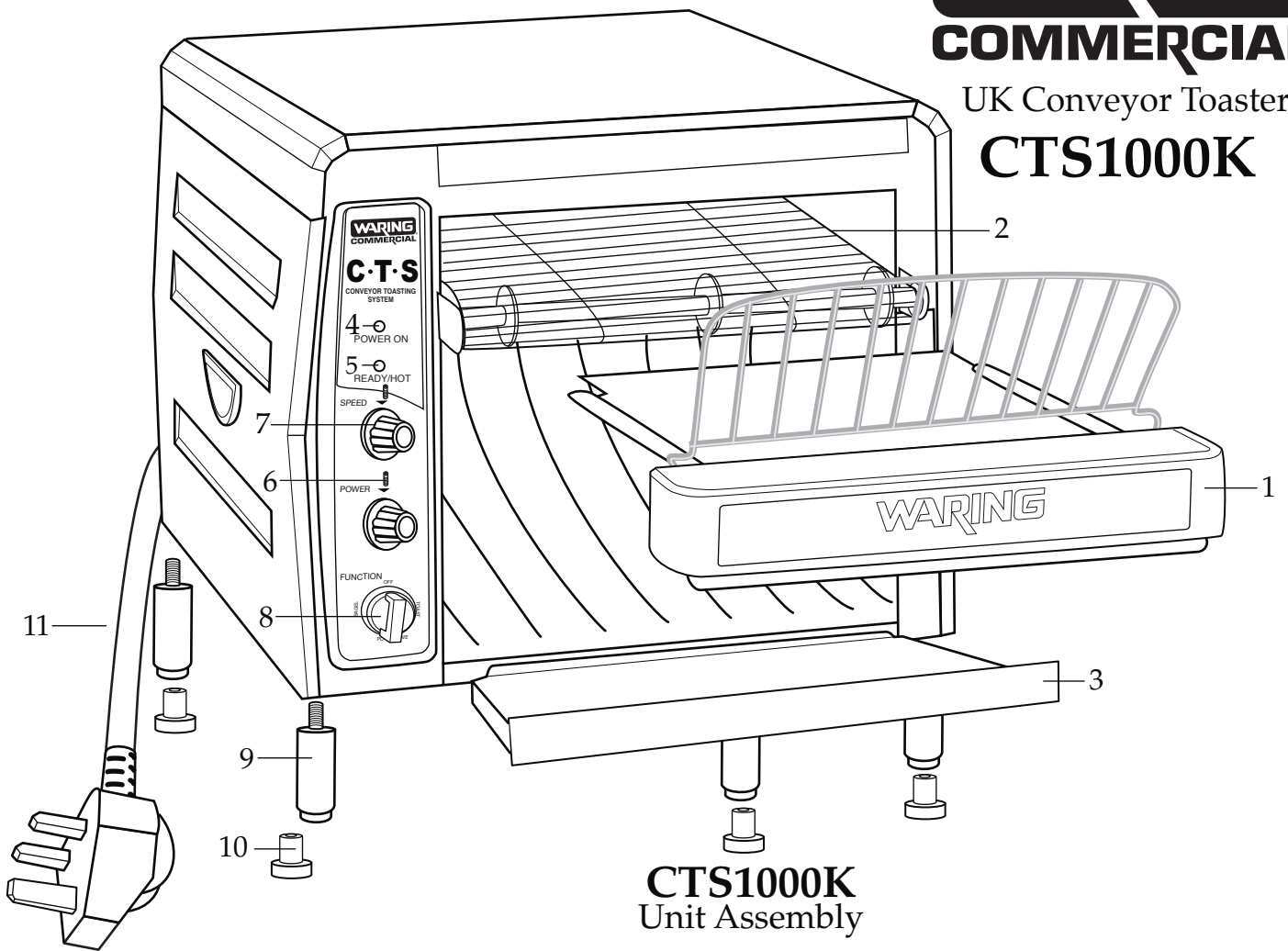


UK Conveyor Toaster

CTS1000K



Internal Components

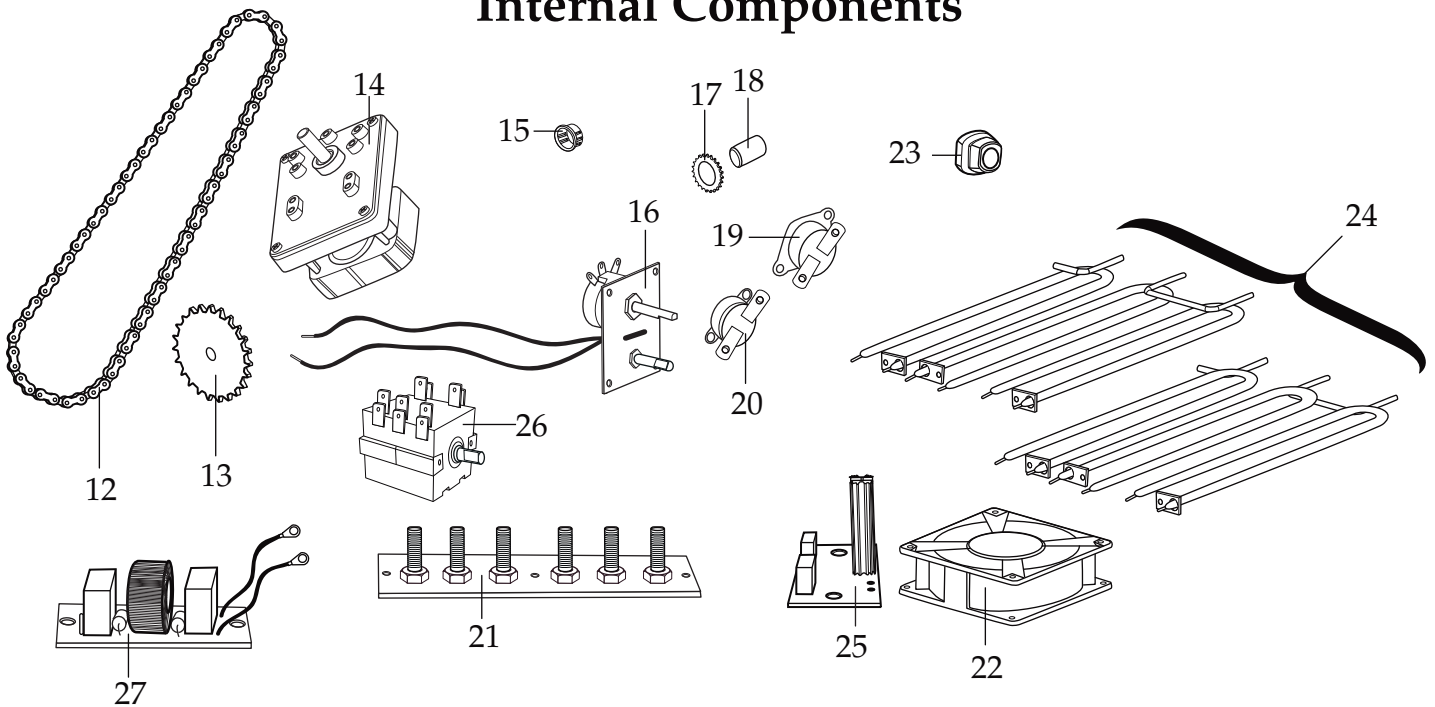
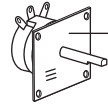


Illustration #	Part #	Description
1	028863	Crumb Tray
2	029683	Conveyor Belt
3	032930 028864	Toaster Drawer <i>(on units after 12/5/2013)</i> Toaster Drawer
4	029684	Red LED Cover
5	029685	Green LED Cover
6	029235	Set Screw (2 required)
7	029105	Conveyor Speed / Power Knob (2 required)
8	033553	Function Knob
9	029687	Foot Housing (4 required)
10	028865	Foot (4 required)
11	032728	Cordset
12	029688	Chain
13	029689	Motor Sprocket
14	032585	AC Motor
15	029691	Nylon Clamp Bushing
16	035262	VR PCB Assembly
17	029694	Conveyor Sprocket
18	029695	Space Tube (2 required)
19	032730	Thermostat (for cooling fan)
20	029696	Thermo Switch (NGT thermostat)
21	033560	Power Connection PCB Assembly
22	029698	Fan Assembly
23	029700	Cable Clamp (strain relief)
24	029699	Heater (set of 2-upper & 2-lower)
25	035127	Triac
26	033558	Function Control
27	035261	Filter Board Assembly

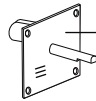
Parts No Longer Used



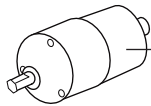
032729 - Main PCB



032912 - VR Assembly



032584 - PCB Assembly



029690 - DC Motor
(Obsolete)

029693 - Transformer



033417 - Power Connection PCB Assembly

029776 - On/Off Switch

029235 - Set Screw

029105 - Conveyor Speed Knob

029686 - Standby Switch

